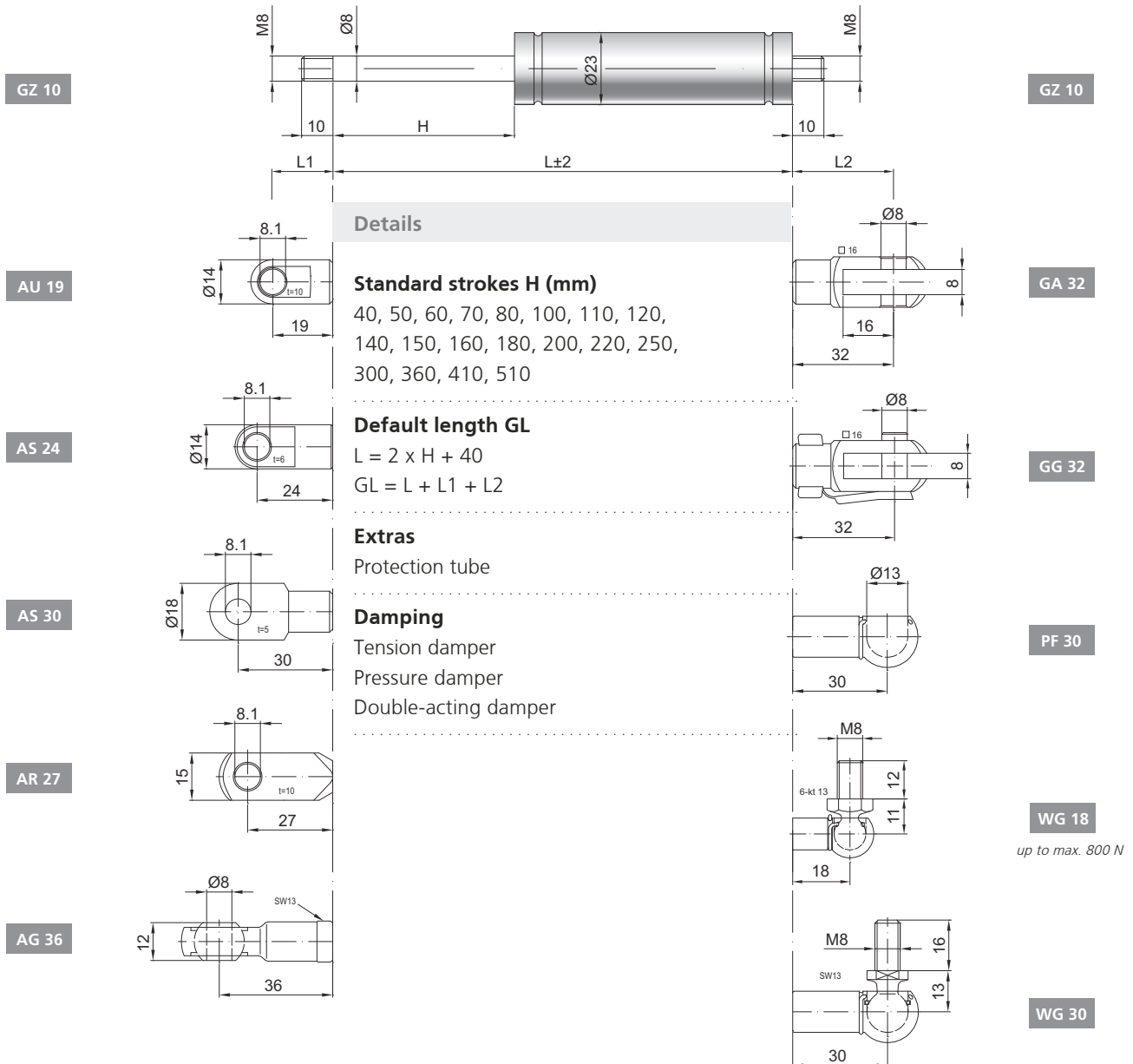


Oil brakes D 08-23

Damping force	50 - 800 Newton
Piston rod	Ø 8 mm, hard chrome-plated steel
Pressure pipe	Ø 23 mm, black lacquered steel
Connections	Blue galvanised steel



up to max. 800 N